

**Gebrauchsanleitungen
Instruction for Use
Mode d'emploi**

**Istruzioni per l'uso
Οδηγίες χρήσεως**

de

en

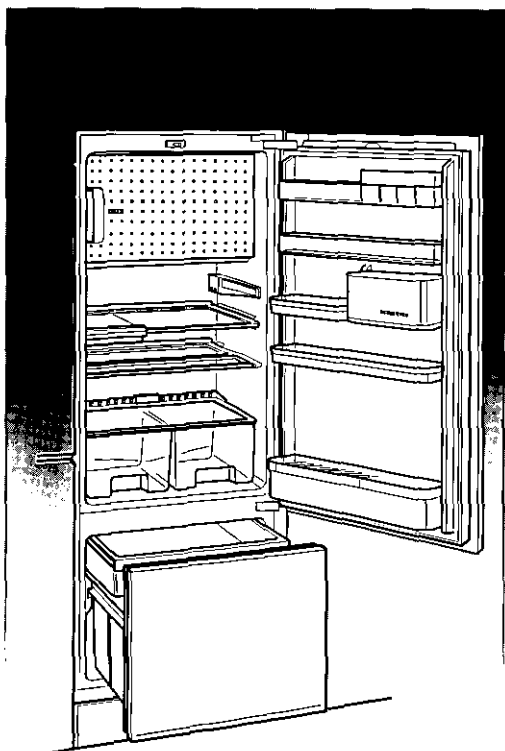
fr

it

nl

el

57001 709 988 513 (8110)



KI..C..

en Index

Instructions on appliance disposal	17	Freezing food	23
Safety information	17	Defrosting the freezer compartment . . .	23
Getting to know your appliance	19	The refrigerator compartment	24
Connecting the appliance	20	Cool-fresh compartment	25
Switching on the appliance	20	Cleaning the appliance	25
Selecting the temperature	20	Tips on how to save energy	25
Switching off and disconnecting the appliance	21	Operating noises	26
Interior fittings of refrigerator compartment	21	Minor problems and how to rectify them yourself	27
The freezer compartment	22	Customer service	28
Storing frozen food and making ice cubes	22		

Instructions on appliance disposal

Disposal of your old appliance

When replacing your old appliance with a new one, please comply with the following:

Old appliances are not worthless rubbish. Valuable raw materials can be reclaimed by recycling old appliances.

Render your old appliance unusable:

1. Pull out the mains plug,
2. Cut off the power cord and discard with mains plug,
3. **To prevent children from locking themselves in the refrigerator and suffocating, REMOVE THE LOCK.**

Professional disposal is required for refrigerants in refrigeration appliances and gases contained in the insulation. Ensure that refrigeration tubing and coils are not damaged or punctured prior to their proper disposal.

Disposal of packaging

Warning:

Keep children away from the shipping carton and packaging components. Danger of suffocation from folding cartons and plastic film.

You received your new appliance in a protective shipping carton. All packaging materials are environmentally friendly and recyclable. Please contribute to a better environment by disposing of packaging materials in an environmentally-friendly manner.

Please ask your dealer or inquire at your local authority about current means of disposal.

Safety information

Before switching on the appliance

Please read the operating and installation instructions carefully. They contain important information on how to install, use and maintain the appliance.

The manufacturer is not liable if you fail to comply with the instructions and warnings in the operating manual. Please retain these operating and installation instructions as they may be required by a subsequent appliance user.

Installing and connecting the appliance



Warning!

The appliance contains a small quantity of the environmentally-friendly but flammable refrigerant R600a. Ensure that the refrigeration tubing is not damaged during transportation and installation. Leaking refrigerant may cause eye injuries or ignite.

If refrigerant is leaking out:

- Avoid naked flames and ignition sources near the leakage.
- Unplug the appliance and ventilate the room for several minutes.

The more refrigerant in an appliance, the larger the room must be in which the appliance is situated. If a leak occurs in a

room which is too small, a flammable gas-air mixture may occur.

The room must be at least 1 m³ per 8 g of refrigerant. The amount of refrigerant in your appliance is indicated on the rating plate inside the appliance.

In an emergency

- Wash eyes and call a doctor.
- Keep ignition sparks and naked flames away from the appliance.
- Pull out the mains plug and ventilate the room thoroughly for several minutes.

Using the appliance

- In the following cases remove the mains plug or switch OFF the fuse:

- Defrosting
- Cleaning

Do NOT pull out the plug by tugging the mains cable.

- Repairs may only be performed by qualified customer-service technicians. Improper repairs may put the user in considerable danger.
- NEVER use electrical appliances inside the appliance (e.g. heater, ice-cream maker, etc).
- Do NOT stand or support yourself on the base, drawers or doors, etc.
- Bottles which contain a high percentage of alcohol must be sealed and placed vertically in the refrigerator.
- NEVER store products which contain flammable propellant gases (e.g. aerosols) or explosive substances in the appliance – **Explosion hazard!**
- Do NOT allow children to play with the appliance.

- If the appliance features a lock, keep the key out of the reach of children!
- NEVER use a steam cleaner to defrost or clean the appliance. Steam may come into contact with live components in the appliance and cause a short-circuit or an electric shock.
- Do NOT allow oil or fat to come into contact with the plastic components or door seal, otherwise the plastic parts and door seal could become porous.
- Bottled or canned drinks (especially carbonated beverages) must NEVER be stored in the freezer compartment. Bottles and tins will explode!
- Do NOT put ice lollies or ice cubes directly from the freezer compartment into your mouth.
Risk of burns from very low temperatures.
- NEVER touch frozen food with wet hands. Your hands could freeze to the food!
- Do NOT scrape off hoarfrost or dislodge frozen food which is stuck to the freezer compartment with a knife or pointed implement.
You could damage the refrigerant tubing.
Leaking refrigerant may ignite or cause eye injuries.

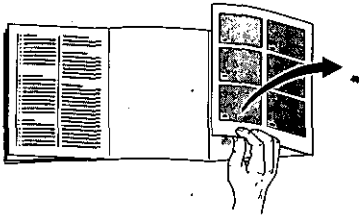
General regulations

The appliance is suitable for

- chilling and freezing food
- making ice.

The appliance is designed specifically for use in the house.

Getting to know your appliance



Please fold out the illustrated back page. These operating instructions refer to several models.

Diagrams may vary.

Example of features

Figure 1

- 1-3 Fascia/interior light
 - 4 Light switch
 - 5 Shelves in the refrigerator compartment
 - 6 Vegetable container
 - 7 Shelf for tubes and small tins
 - 8 Butter and cheese compartment
 - 9 Egg rack
 - 10 Shelf for large bottles
 - 9 Drawer
 - 10 Cooling trolley
-
- A Freezer compartment
 - B Refrigerator compartment
 - C Cold-storage compartment

Climatic classes – permitted ambient temperature

The climatic class can be found on the rating plate and specifies the ambient temperatures at which the appliance may be operated.

Climatic class	Permitted ambient temperature
SN	+10 °C to 32 °C
N	+16 °C to 32 °C
ST	+18 °C to 38 °C
T	+18 °C to 43 °C

Note:

At ambient temperatures below 20 °C and during "fast freezing" the interior light may glow at a reduced luminosity when the door is almost closed (or light switch pressed). This is quite normal and can be ignored.

Ventilation

The air at the back of the appliance will heat up. This warm air must be allowed to freely escape, otherwise the refrigerating machine must perform more. This raises electricity consumption. Hence, the air-inlet and outlet apertures should never be covered or blocked off!

Connecting the appliance

After installing the appliance, you should wait at least ½ hour before switching on the appliance. While the appliance is being transported, the oil in the compressor may leak into the refrigeration system.

Clean the interior of the appliance before using for the first time (see "Cleaning").

The mains socket should be easily accessible. Connect the appliance to a 220–240 V/50 Hz AC mains supply at a correctly installed socket. The socket must be equipped with a fuse protection rated 10 A or higher.

If the appliance is to be operated in a non-European country, check that the voltage and current type indicated on the rating plate correspond with the specifications of your power supply. The rating plate is situated in the bottom left-hand side of the appliance. The mains connection cable may be replaced by an electrician only.

Warning!

The appliance may not, under any circumstances, be connected to electronic energy-saving plugs (e.g. Ecoboy; Sava Plug) and to power inverters which convert direct current to 230 V alternating current (e.g. solar energy systems, power networks on ships).

Switching on the appliance

Fig. 2

Press main switch on appliance 1. Interior light illuminates, lamp flashes.

At the factory the refrigerator compartment was set to 6 °C.

Selecting the temperature

The set values can be changed; see description of the fascia.

Operating tips

The temperature in the refrigerator and cold-storage compartments drops temporarily:

- if large quantities of fresh food are frozen in the freezer compartment.

The temperature in the refrigerator and cold-storage compartments rises temporarily:

- if the appliance door is opened frequently;
- if large quantities of food are placed in the refrigerator or cold-storage compartment,
- if there is a high ambient temperature.

Condensation or hoarfrost in the refrigerator compartment

While the refrigerating unit is running, condensation or hoarfrost forms on the rear panel of the refrigerator and cold-storage compartments. This is quite normal.

It is not necessary to wipe off the condensation or the hoarfrost. The rear panel defrosts automatically. The condensation runs down the drainage channel **Fig. 3/A** to the refrigerating unit where it evaporates.

Note: The cold-storage compartment is 3–4 °C warmer than the refrigerator compartment.

Switching off and disconnecting the appliance

Switching off the appliance

- Press the main switch **Fig. 2/1**. Refrigerating unit and interior light switch off.

Disconnecting the appliance

If the appliance is not to be used for a prolonged period:

- Pull out the mains plug
- Defrost and clean the appliance
- Leave the appliance doors open.

Interior fittings of refrigerator compartment

Rearranging the interior

If required, the interior shelves and the door containers can be repositioned: pull the shelf forwards, lower and swivel out sideways **Fig. 4**. Lift the container and remove **Fig. 5**.

Special features

(not all models)

“Vario” shelf

Fig. 6

The front half of the “Vario” shelf can be pushed back. Tall produce (e.g. jugs, bottles) can then be placed on the shelf underneath.

Temperature and humidity regulator for vegetable container

Fig. 7

For long-term storage of vegetables, lettuce and fruit slide the regulator all the way to the right. Ventilation aperture is open - low air humidity – **Temperature drops.**

For short-term storage slide the regulator to the left. Ventilation aperture is closed - high humidity – **Temperature rises.**

Bottle rack

Fig. 8

The bottle holder prevents bottles from falling over when the door is opened and closed.

Drawer for sausage and cheese

Fig. 9

The drawer can be removed for adding and removing food. Lift the drawer and pull out. The drawer holder can be adjusted.

Bottle partition

Fig. 13/A

It is recommended to place large bottles, e.g. wine and juice bottles, in front of the partition and small bottles, e.g. beer bottles, behind the partition.

Important: For reasons of safety and stability do not remove the partition.

The freezer compartment

Use the freezer compartment

- For storing frozen food
- For making ice cubes
- For freezing small quantities of food

The freezer compartment door closes with a noticeable click.

Make sure the freezer compartment door is kept closed at all times. If the door is left open, the contents of the freezer compartment will start to thaw. There will be a build-up of ice inside the freezer compartment and, in addition, a considerable amount of energy will be wasted due to higher electricity consumption.

Door closed indicator on freezer compartment

Figure 10 not on all models

The door closed indicator shows whether the freezer compartment door has been closed properly.

- **Red indicator:** door is open
- **White indicator:** door is closed

Storing frozen food and making ice cubes

When you buy frozen goods:

- Check that the packaging is not damaged in any way.
- Check the "Best before"-date.
- The temperature in the freezer cabinet in the shop should be colder than -18°C . If it is not the storage life of the frozen goods will be reduced.
- When you are out shopping, buy frozen products last of all and transport them to your home wrapped in newspaper or in a cool-bag.
- When you get home, put the frozen products straight into the freezer compartment and close the door carefully. Consume the frozen products before the "Best before" -date.

Freezing food

Use only fresh products in perfect condition for freezing. Pack the food in airtight bags or containers so that it does not lose its flavour or dehydrate.

Correct method of packing:

1. Put the food into the bag or container.
2. Squeeze out all the air.
3. Seal the bag or container.
4. Label the bag or container with the contents and date of freezing.

Unsuitable packing materials:

wrapping paper, greaseproof paper, cellophane, bin bags, used plastic shopping bags.

Suitable packing materials:

plastic film, tubular film made from polyethylene, aluminium foil, freezer boxes. These products are available from your retailer.

Suitable sealing materials:

rubber bands, plastic clips, string, cold-resistant adhesive tape etc.
You can also seal bags and tubular film made from polyethylene with a heat-sealing device.

Freezing capacity

Up to 3 kg of food can be frozen on the floor of the freezer compartment within 24 hours.

Food which is already frozen must NOT come into contact with fresh food which is to be frozen.

Storage life of frozen products

This depends on the type of food. With the temperature set midway:

- fish, salami, ready-to-eat products, cakes and pastries can be kept for at least **6 months**
- cheese, poultry, meat can be kept for at least **8 months**
- vegetables and fruit can be kept for at least **12 months**.

Defrosting the freezer compartment

To prevent the food from thawing, the freezer compartment does NOT defrost automatically. A layer of hoarfrost in the freezer compartment will impair refrigeration of the frozen food and increase power consumption. Remove hoarfrost regularly.

Warning: NEVER scrape off hoarfrost or ice with a knife or other sharp object, as you could damage the refrigeration tubing. Escaping refrigerant may ignite or cause eye injuries.

Proceed as follows

1. Remove the frozen food and store temporarily in a cool location.
2. Pull out the mains plug.
3. Defrost the appliance.
4. Wipe the freezer compartment dry.
5. Switch ON the appliance.
6. Put the frozen food back in the freezer compartment.

Defrosting aids

You can accelerate the defrosting process by placing a pan of hot water in the freezer compartment. **Warning:** Place the pan on a heat-resistant base!

Warning: NEVER use electric appliances or naked flames, e.g. heaters, steam cleaners, candles or kerosene lamps, etc. to defrost the freezer compartment.

Caution when using defrosting sprays:

- Defrosting sprays may form explosive gases.
- Defrosting sprays may contain solvents or propellants which attack plastic.
- Defrosting sprays may be a health hazard.

Observe the manufacturer's specifications.

Refrigerator and cool-fresh compartments defrost fully automatically

While the refrigerating unit is running, condensation or hoarfrost forms on the rear of the refrigerator and cool-fresh compartments. This is quite normal. It is not necessary to wipe off the condensation or the hoarfrost. The rear panel defrosts automatically. The condensation runs down the condensation channel **Fig. 3/A** to the refrigerating unit where it evaporates.

Note: To ensure that the condensation flow is not obstructed, keep the condensation channel and drain hole clean **Fig. 3/A**.

The refrigerator compartment

Note refrigeration zones in the refrigerator compartment!

The air circulation in the refrigerator compartment produces different temperature zones:

- The coldest zones are on the rear panel and above the bottom shelf. Note: Store perishable food in the coldest zones (e.g. fish, sausage, meat).
- The warmest zone is at the top of the door. Note: Store e.g. cheese and butter in the warmest zone. The cheese retains its aroma and the butter can be spread straight from the refrigerator.

Arranging food

- **On the shelves** in the refrigerator compartment (from top to bottom): Cakes and pastries, ready meals, dairy products, meat and sausage.
- **In the vegetable container:** Vegetables, lettuce, fruit.
- **In the door** (from top to bottom): Butter, cheese, eggs, tubes, small bottles, large bottles, milk, juice cartons.

Cool-fresh compartment

Arranging food

In the drawer: Fruit, vegetables, lettuce.

In the cooling trolley: Vegetables, potatoes, onions, large bottles between the bottle fences.

Warning: Store opened champagne bottles, unsealed, in the cooling trolley. When the cooling trolley is opened, vibrations may cause the cork to shoot out.

Cleaning the appliance

- Warning: Pull out the mains plug or disconnect the fuse!**
- Wipe the door seal only with clear water and then dry thoroughly.
- Clean the appliance with tepid water. Water must NOT drip onto the temperature selector or the light **Fig. 2**.
- To facilitate cleaning, the cooling trolley **Fig. 11/10** can be removed. Pull out the cooling trolley as far as possible and remove the drawer **Fig. 12**. Lift up the front of the cooling trolley and remove **Fig. 13**. Removing the telescopic rails **Fig. 12 A**. Pull the release catches in the direction of the arrow **Fig. 12 A/1**, pull the telescopic rails forwards, lift up **Fig. 12 A/2** and remove. When inserting the telescopic rails, first slide them into the rear opening **Fig. 12 A/3**, then into the lower opening **Fig. 12 A/4** and press down until they lock into position.

- After cleaning, reconnect the appliance and switch ON.

Warning: NEVER use a steam cleaner to clean the appliance. Steam may come into contact with live components in the appliance and cause a short-circuit or an electric shock! Steam may damage the plastic surfaces.

Do NOT use abrasive or acidic detergents or solvents.

To ensure that the condensation flow is not obstructed, clean the condensation channel and drain hole **Fig. 8/A** regularly. Clean the condensation channel with cotton buds, etc.

Water used for cleaning must NOT run through the drain hole into the evaporation pan.

Warning: NEVER clean shelves or containers in the dishwasher, as they may warp!

Tips on how to save energy

- Install the appliance in an adequately ventilated room and ensure that it is not exposed to direct sunlight or placed next to a source of heat (radiator, etc.). If necessary fit an insulating panel between the two.
- Allow food to cool down before placing it in the appliance.
- Put frozen food into the main refrigerator section to thaw out. By so doing you will be utilizing the low temperature of the frozen products to cool the food in the refrigerator.

- A layer of ice impairs the transfer of cold to the frozen products and increases power consumption. Remove the build-up of ice at regular intervals.
- Do not keep the main door or the freezer compartment door open longer than necessary.
- Make sure the freezer compartment door is closed at all times. You should be able to hear it snap shut.

Clicking noise – motor is switching on or off.

Noises which can easily be eliminated

The appliance is not standing level

Please use a spirit-level to ensure that the appliance is standing level. Adjust the threaded feet or place something underneath to bring the appliance level.

The appliance is crowded

Please leave clearance between the appliance and surrounding furniture or appliances.

Drawers, baskets or storage surfaces are unsteady or stick.

Please check that the removable parts are correctly in position and reinsert if necessary.

The containers are touching

Place the bottles or containers a little apart.

Operating noises

Completely normal noises

Humming noise – refrigerating unit is running.

Bubbling, whirring or gurgling noises – refrigerant is flowing through the refrigeration tubing.

Minor problems and how to rectify them yourself

Before you call customer service:

Check whether you can eliminate the fault yourself based on the following information. A technician who is called out to give advice will charge you, even if the appliance is still under guarantee.

Fault	Possible cause	Remedial action
The interior light does not function; the refrigerating unit is running.	The incandescent bulb is defective.	<p>Replace the incandescent bulb</p> <ol style="list-style-type: none"> 1. Remove the mains plug or switch OFF the fuse. 2. Pull the grille forwards. 3. Replace the bulb Fig. 14/B. Replacement bulb 220–240 V alternating current, base E14, for the correct wattage check the defective bulb. (Note: krypton bulbs can only be obtained from customer service).
	The light switch is jammed Fig. 14/A .	Check whether the light switch can be moved.
The frozen food is frozen solid.		<p>Loosen the frozen food with a blunt instrument.</p> <p>Do NOT use a knife or pointed instrument. You could damage the refrigeration tubing or the plastic surface.</p>
The freezer compartment is covered in a thick layer of hoarfrost.		<p>Defrost the freezer compartment (see "Defrosting"). ALWAYS ensure that the freezer-compartment door is closed properly.</p> <p>The freezer-compartment door must "click" shut.</p>
The floor of the refrigerator compartment is wet.	The condensation drainage pipe is blocked Fig. 3/A .	Clean the condensation channel and the drainage pipe Fig. 3/A , see "Cleaning the appliance".

Fault	Possible cause	Remedial action
The temperature in the refrigerator compartment is too cold.	The freezer-compartment door is not closed properly.	Close the freezer-compartment door. The freezer-compartment door must "click" shut.
	Temperature has been set too low.	Increase temperature.
	If large quantities of fresh food are frozen, the refrigerating unit runs for a long time and temporarily reduces the temperature in the refrigerator.	NEVER freeze more than 3 kg of food at once.
The refrigerating unit is switching ON more frequently and for longer.	The appliance door or the freezer-compartment door was opened frequently.	Do NOT open the door unnecessarily.
	Large quantities of fresh food were frozen.	NEVER freeze more than 3 kg of food at once.
	The ventilation holes are blocked.	Remove any obstacles.
Refrigerator has no cooling capacity.	Main switch on appliance has not been switched on.	Press the main switch.
	Power failure; the fuse has tripped; the mains plug is not in properly.	Check that the power is on and check the fuses.
The interior light illuminates at a reduced luminosity when the door is almost closed (or light switch pressed).	Ambient temperature is below 20 °C or "fast freezing" has been switched on. Not a fault!	At ambient temperatures above 20 °C or when "fast freezing" has been switched off, the interior light goes out again.

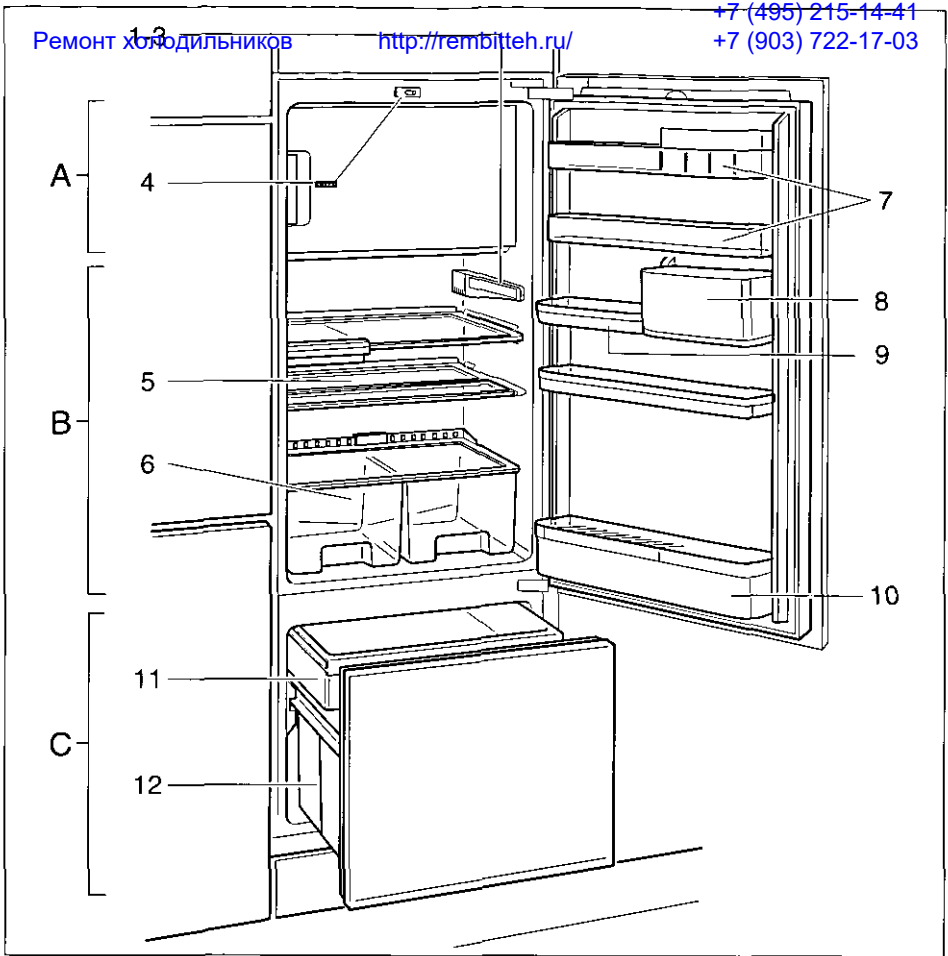
Customer service

Please check your telephone book or the customer-service list for your nearest customer-service facility. When contacting customer service, please ALWAYS quote the product number

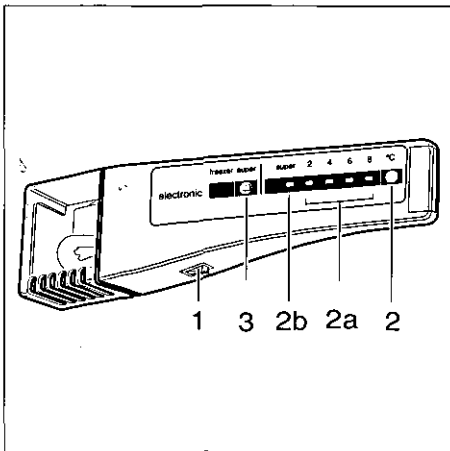
(E-number) and production number (FD-number) of your appliance.

These numbers can be found on the rating plate. **Fig. 15**

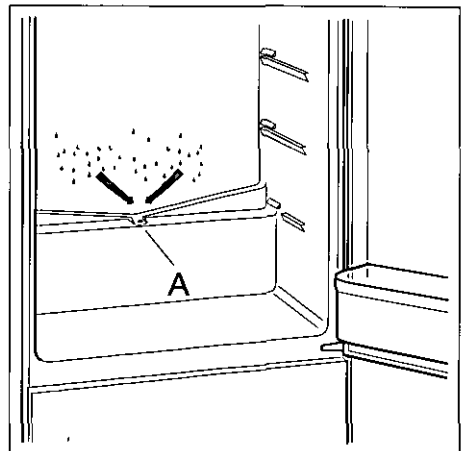
To prevent unnecessary call-outs, please assist customer service by quoting the product and production numbers. This will save you additional costs.



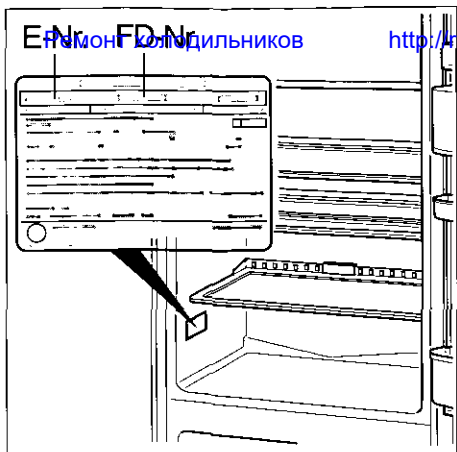
1



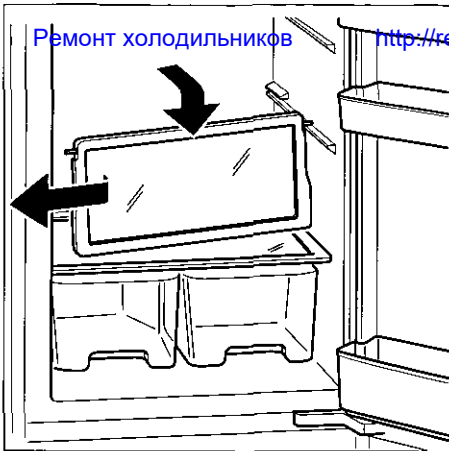
2



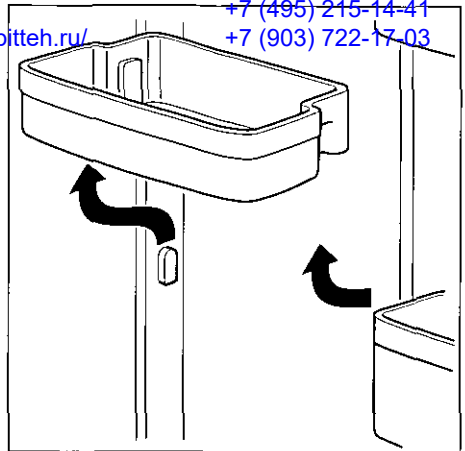
3



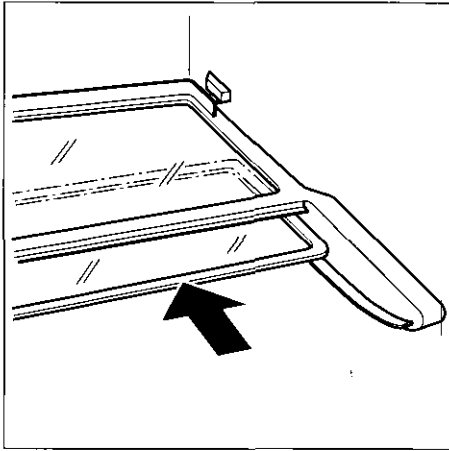
16



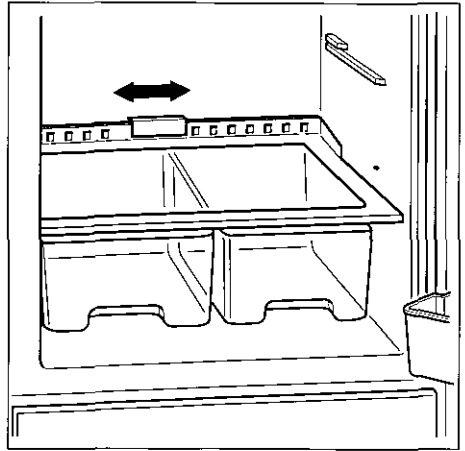
4



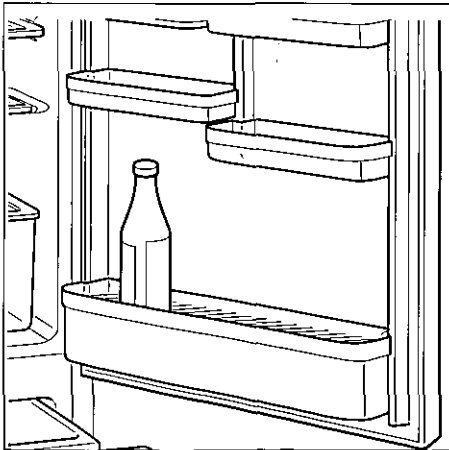
5



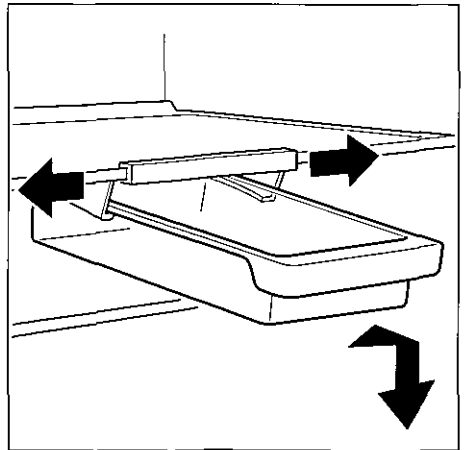
6



7

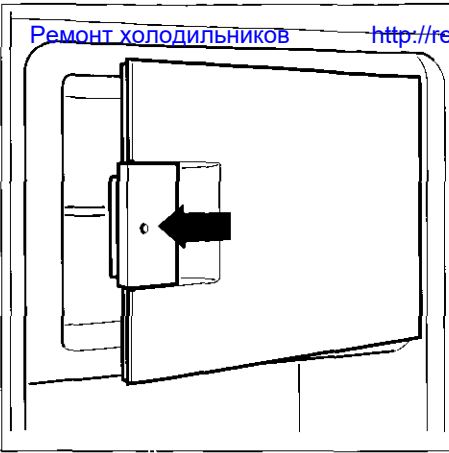


8

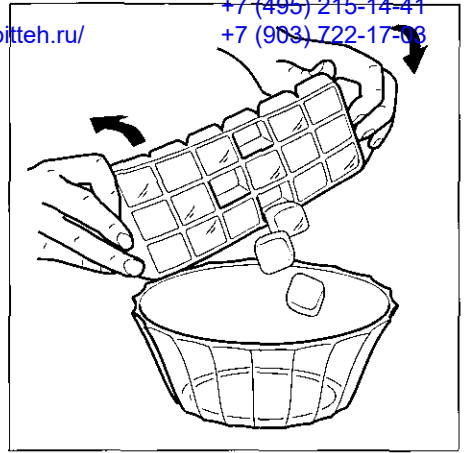


9

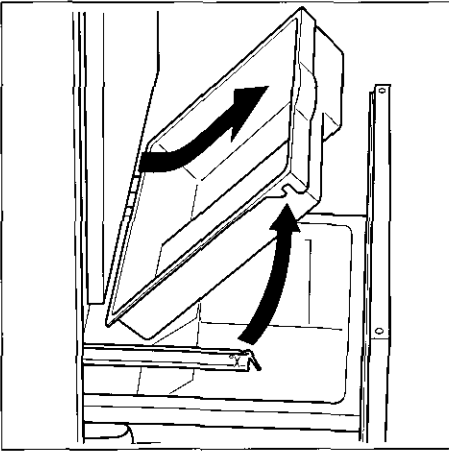
10



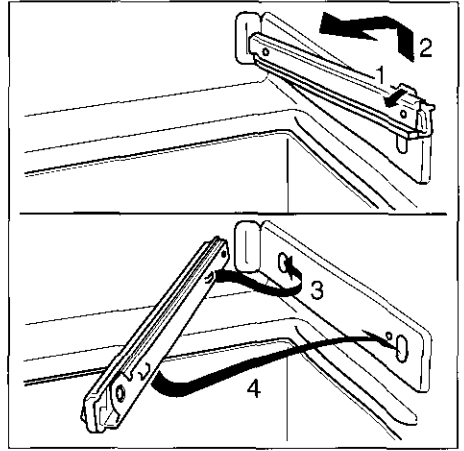
11



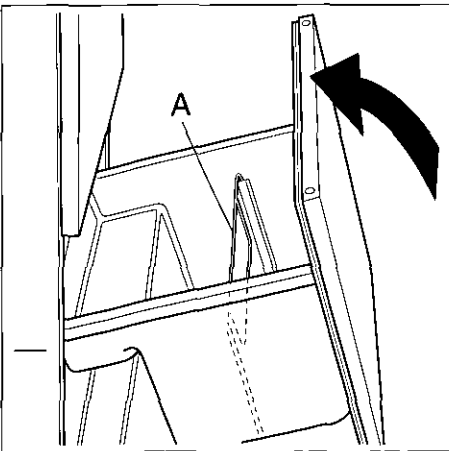
12



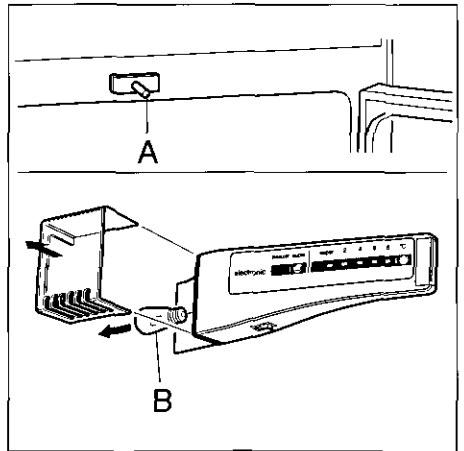
12A



13



14



Family Line

Ремонт холодильников

<http://rembitteh.ru/>

+7 (495) 215-14-41

+7 (903) 722-17-03

01805-2223

(€ 0,12/Min.DTAG)

Siemens-Hausgeräte

Besuchen Sie uns im Internet:

<http://www.siemens.de/hausgeraete>



Änderungen vorbehalten

Subject to modification

Sous réserve de modifications

Salvo variazioni

Wijzigingen voorbehouden

Τηρούμε το δικαίωμα αλλαγών

Siemens-Electrogeräte GmbH

de, en, fr, it, nl, el 1 709 988 513 (8110)

<http://rembitteh.ru/>